

NUMATICS®

503 Series

Solenoid Pilot Actuated Valves



www.numatics.com

5 Ported, 2 and 3 position, 4-way, Spool & Sleeve and Rubber Seal, Cv: 1.2 - 1.4

- Solenoid air pilot actuated
- Low wattage – 1.7 watt for DC application
- DC solenoids polarity insensitive with surge suppression
Plug together circuit boards eliminate internal wiring
- Integral recessed gaskets
- IN Fittings to accommodate various tube sizes
- Simple conversion from internal to external pilot
- G3 Fieldbus electronics
- IP65 Certified



Performance Data

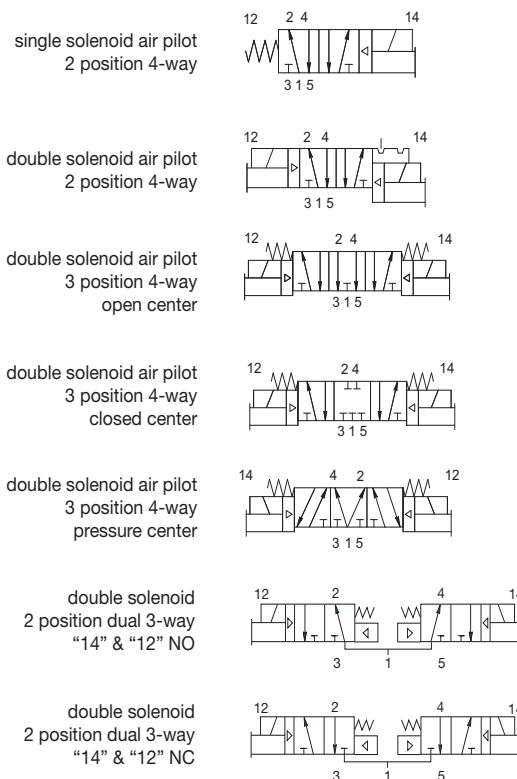
Valve Data	Min.	Max.
Pilot Pressure Range	29 PSI (2 Bar)	115 PSI (8 Bar)
Valve Operating Pressure Range	28" HG Vacuum	115 PSI (8 Bar)
Ambient Temperature Range	- 10°C (- 14°F)	50 °C (122 °F)

Valve Flow Data	ISO		Proprietary	
	Cv	NL/m (6 - 5 Bar)	Cv	NL/m (6 - 5 Bar)
5/2, Double Solenoid & Single Solenoid, Spring Return (Spool & Sleeve)	1.1	1100	1.2	1200
5/2, Double Solenoid & Single Solenoid, Spring Return (Rubber Seal)	1.2	1200	1.4	1400
2X 3/2 NC-NC	0.9	900	1.0	1000
2X 3/2 NO-NO	0.9	900	1.0	1000
Double Solenoid, 3 pos. 4 way, Spring Centered- Open to 4 and 2 in center	0.6	600	0.6	600
Double Solenoid, 3 pos. 4 way, Spring Centered - Open Center	1.1	100	1.3	1300
Double Solenoid, 3 pos. 4 way, Spring Centered - Closed Center	1.2	1200	1.4	1400

Operating Data

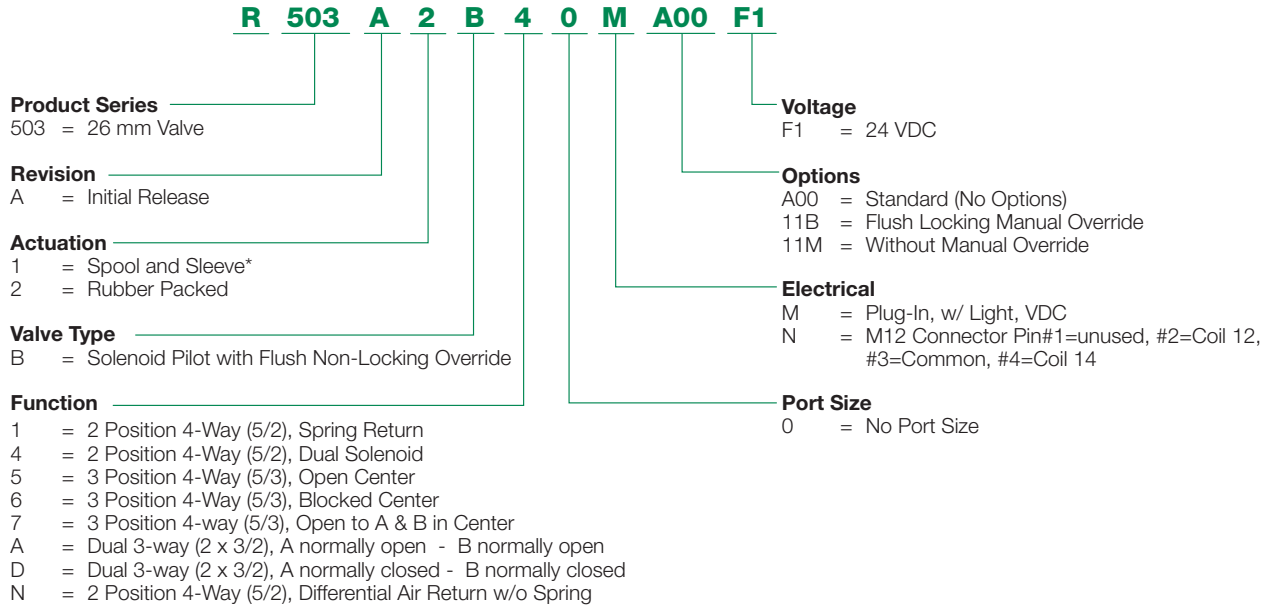
All Solenoids Are Continuous Duty Rated	24 VDC
Power (Watts)	1.7
Holding Current (Amps.)	0.10

Response Time (ms)	Spool & Sleeve		Rubber Seal	
	Energize	Deenergize	Energize	Deenergize
5/2, Single Solenoid, Spring Return	20	60	20	60
5/2, Double Solenoid	15	N/A	20	N/A
5/3 Spring Centered	-	-	15	20
2x3/2 NC	-	-	15	25
2 X3/2 NO	-	-	15	20



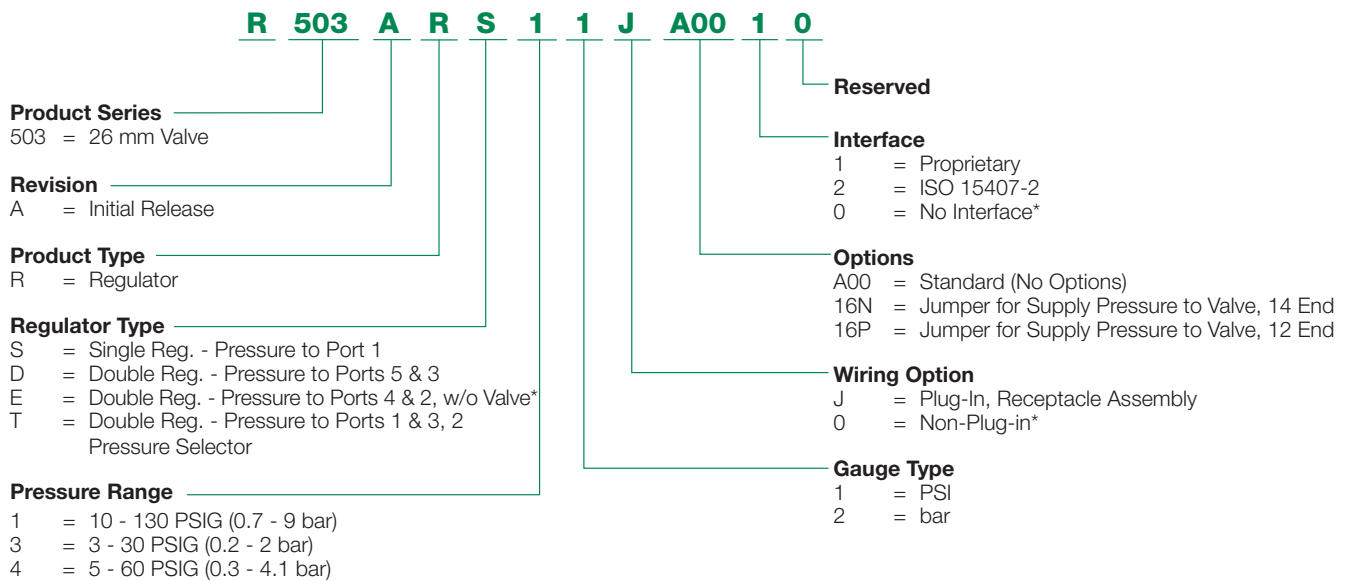
How to Order

Valves



*Available with Functions 1 + 4 only

Regulators



*For Regulator Type "E" must select 'O' wiring option + 'O' Interface